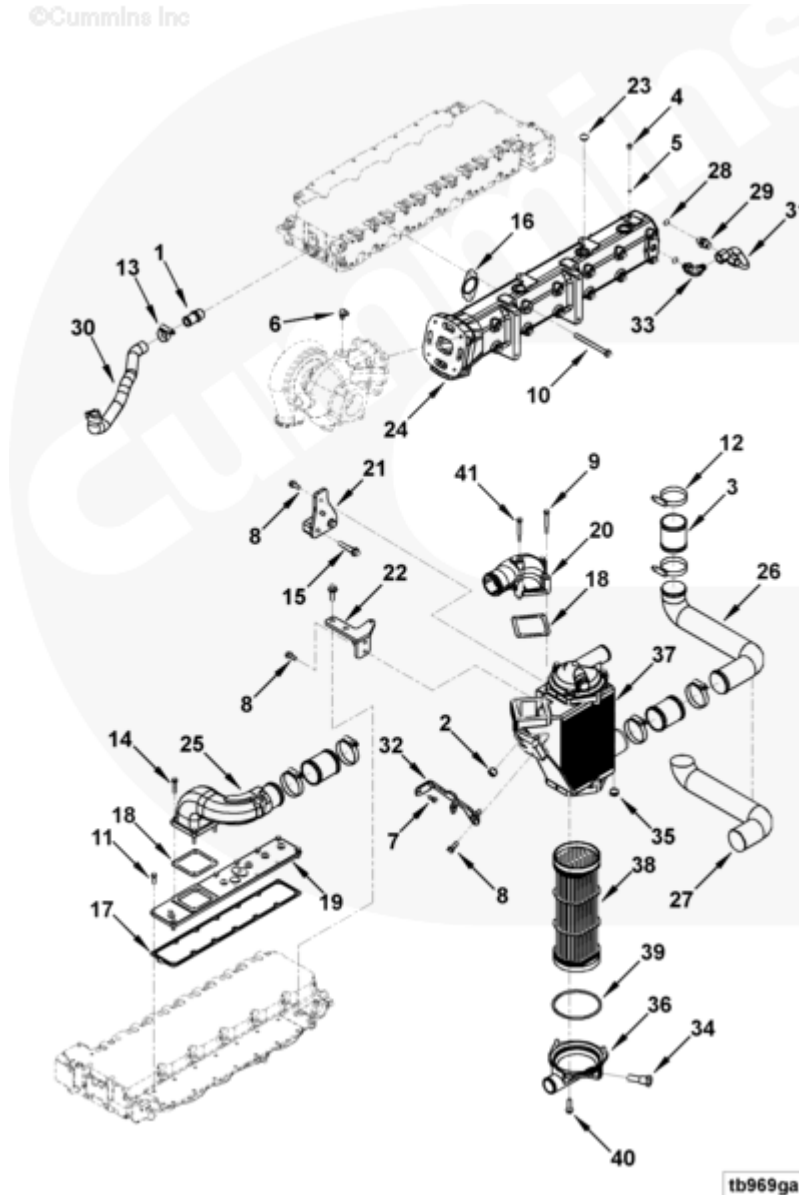




Parts Catalog - Option Detail

Electronic Parts Catalog - Option Detail				
Option	Group	Graphic	Film Card	Date
TB9965-08	10.06.1	tb969ga	T	06-AUG-04
Engines	4B3.9, 6A3.4, 6B5.9, B GAS INTERNATIONAL CM556, B4.5, B4.5 CM2350 B129B, B4.5 CM2350 B146C, B4.5 CM2350 B147B, B4.5 RGT, B4.5S, B5.9 G, B5.9 GAS PLUS CM556, B5.9 LPG, B5.9 LPG PLUS CM556, B6.7 CM2350 B121B, B6.7 CM2350 B135B, B6.7 CM2350 B136C, B6.7 CM2350 B148B, B6.7 G CMOH6.0 B125, B6.7N CM2380 B150B, B6.7S, F3.8 CM2350 F120B, F3.8 CM2350 F128C, F3.8 CM2350 F132B, F3.8 F102, G3.9, G5.9, G5.9 CM558, ISB (CHRYSLER), ISB CM2150, ISB CM2150 E, ISB CM550, ISB CM850, ISB/ISD4.5 CM2150 B119, ISB/ISD4.5 CM2150 SN, ISB/ISD6.7 CM2150 B120, ISB/ISD6.7 CM2150 SN, ISB/ISD6.7 CM2880 B126, ISB3.9 CM2220 B107, ISB4.5 CM2150, ISB5.9G CM2180, ISB6.7 2010 DCX PICKUP, ISB6.7 2013 DCX CHASSIS CAB, ISB6.7 CM2150 SQ, ISB6.7 CM2250, ISB6.7 CM2350 B101, ISB6.7 CM2350 B103, ISB6.7 CM2350 B142, ISB6.7 CM2670 B153B, ISB6.7 G CM2180 B118, ISBE CM2150, ISBE CM800, ISBE2/ISBE3 CM850, ISBE4 CM850, ISD4.5 CM2150, ISD6.7 CM2880 D101, ISF2.8 CM2220, ISF2.8 CM2220 AN, ISF2.8 CM2220 EC, ISF2.8 CM2220 ECF2, ISF2.8 CM2220 F101, ISF2.8 CM2220 F117, ISF2.8 CM2220 F122, ISF2.8 CM2220 F126, ISF2.8 CM2220 F129, ISF2.8 CM2220 IAN, ISF3.8 CM2220, ISF3.8 CM2220 AN, ISF3.8 CM2220 F103, ISF3.8 CM2220 F110, ISF3.8 CM2220 F116, ISF3.8 CM2220 F134B, ISF3.8 CM2220 IAN, ISF3.8 CM2350 F109, ISF4.5 CM2220 F123, ISG11 CM2880 G106, ISG11 CM2880 G108, ISG12 CM2880 G107, ISG12 CM2880 G109, ISG12 G CMOH6.0 G111, QSB3.9 30 CM550, QSB3.9 CM2880 B138, QSB4.5 30 CM550, QSB4.5 CM2150 B108, QSB4.5 CM2250 B131, QSB4.5 CM2250 EC, QSB4.5 CM2350 B106, QSB4.5 CM2350 B122			



tb969ga

SMALL | MEDIUM | LARGE

Cart	Ref No	Part Number	Part Description	Required	Remarks
View My Cart					
		TB9965-08	Turbocharger Arrangement		Turbocharger Arrangement...(More)
					Engine Family: "B" Series
					Engine Cylinders: 6
					Engine Aspiration: Sea Water
					Aftercooled
					Exhaust Outlet Location:
					RMSO
					From Engine CL (mm): -210.6
					From CCL (mm): 367.6

					From FFOB (mm): -1094
					Exhaust Outlet Flange Type:
					4-M8 X 1.25
					Exhaust Outlet Diameter (mm):
					66
					Turbocharger Model: HX40
					Turbocharger Flange Angle
					From Vertical: 15 Deg.
					CPR Outlet Flange Type:
					Hose Bead
					CPR Outlet Diameter (mm):
					53.5
					CPR Outlet on Engine Loc
					(Deg): 90 Deg. Down From
					Horizontal
					Manifold Type: Wet
					Use With ZF 80, 80 IV, and
					220 A Series Marine Gears
<input type="checkbox"/>	1	215921	Plain Hose Coupling	1	3/4 NPTF X 1 in
<input type="checkbox"/>	2	3008468	Pipe Plug	1	1/2 NPT.
<input type="checkbox"/>	3	3866540	Plain Hose	3	
<input type="checkbox"/>		3678923	Threaded Plug	1	M10 X 1.00 X 13.5
<input type="checkbox"/>	4	3678924	Threaded Plug	1	M10 X 1.00 X 13.5
<input type="checkbox"/>	5	3678925	O-Ring Seal	1	M10.
<input type="checkbox"/>	6	3945212	Plain Union Elbow	1	M10 X 1.00 X 7/16 - 20.
<input type="checkbox"/>	7	3900630	Hexagon Flange Head Cap Screw	1	M8 X 1.25 X 20
<input type="checkbox"/>	8	3902460	Hexagon Flange Head Cap Screw	6	M10 X 1.50 X 25.
<input type="checkbox"/>	9	3903096	Hexagon Flange Head Cap Screw	3	M8 X 1.25 X 70.
<input type="checkbox"/>	10	3916518	Hexagon Flange Head Cap Screw	12	M10 X 1.50 X 125.

<input type="checkbox"/>	11	3918109	Hexagon Flange Head Cap Screw	7	M8 x 1.25 x 25
<input type="checkbox"/>	12	3918521	Hose Clamp	6	59 - 83 mm
<input type="checkbox"/>	13	3922844	Hose Clamp	2	
<input type="checkbox"/>	14	3928873	Hexagon Flange Head Cap Screw	4	M8 x 1.25 x 40
<input type="checkbox"/>	15	3937692	Hexagon Flange Head Cap Screw	2	M12 x 1.75 x 60
<input type="checkbox"/>	16	3946275	Exhaust Manifold Gasket	6	
<input type="checkbox"/>	17	3947530	Intake Manifold Cover Gasket	1	
<input type="checkbox"/>	18	3949473	Connection Gasket	2	
<input type="checkbox"/>	19	3957907	Intake Manifold Cover	1	
<input type="checkbox"/>	20	3967358	Air Intake Connection	1	
<input type="checkbox"/>	21	3967368	Aftercooler Bracket	1	
<input type="checkbox"/>	22	3976208	Aftercooler Bracket	1	
<input type="checkbox"/>		3968535	Exhaust Manifold	1	
<input type="checkbox"/>	23	3007635	Expansion Plug	7	
	24	3968544	Exhaust Manifold	1	
<input type="checkbox"/>	25	3968547	Air Intake Connection	1	
<input type="checkbox"/>		3976030	Air Tube	1	
<input type="checkbox"/>	26	3975924	Air Tube	1	
	27	3976029	Heat Shield	1	
<input type="checkbox"/>		3972578	Male Union	1	
<input type="checkbox"/>	28	3975683	O-Ring Seal	1	
	29	3973639	Male Union	1	
<input type="checkbox"/>	30	3972677	Plain Hose	1	
<input type="checkbox"/>	31	3972901	Water Transfer Tube	1	
<input type="checkbox"/>	32	3973073	Aftercooler Bracket	1	
<input type="checkbox"/>		3973304	Male Adapter Elbow	1	
	33	3973641	Male Adapter Elbow	1	
<input type="checkbox"/>	28	3975683	O-Ring Seal	1	
<input type="checkbox"/>		4019968	Aftercooler	1	
<input type="checkbox"/>	34	68241	Zinc Electrode Plug	2	1/2 NPTF X 2"

<input type="checkbox"/>	35	3278093	Pipe Plug	1	1/4 NPT
<input type="checkbox"/>	36	4019969	Water Transfer Connection	2	
<input type="checkbox"/>	37	4019970	Aftercooler Housing	1	
<input type="checkbox"/>	38	4019971	Aftercooler Core	1	
<input type="checkbox"/>	39	4019975	O-Ring Seal	2	
<input type="checkbox"/>	40	4058183	Hexagon Flange Head Cap Screw	6	
<input type="checkbox"/>	41	3968959	Hexagon Flange Head Cap Screw	1	M8 X 1.25 X 130.

© 2019 Cummins Inc., Box 3005, Columbus, IN 47202-3005 U.S.A.
Terms of Use and Disclaimers | Recommended System Requirements
Need Assistance? Please click on the Contact Us button in the top right corner of any page.